

**JELD-WEN DOOR  
INSTALLATION DETAILS  
STEEL 24 GA. WOOD EDGE  
OPAQUE W/ FULL LITE SIDELITES  
UP TO 12'-0" X 8'-0"  
OUTSWING/INSWING**

**GENERAL NOTES**

1. THIS PRODUCT IS DESIGNED TO COMPLY WITH CURRENT INTERNATIONAL BUILDING CODE (I.B.C.) & INTERNATIONAL RESIDENTIAL CODE (I.R.C.) AND THE CURRENT FLORIDA BUILDING CODES (FBC), EXCLUDING HVHZ AND HAS BEEN EVALUATED IN ACCORDANCE TO ASTM E283-04, E330-02, E331-00 AND AAMA 1304-02.

2. 1X AND 2X WOOD BUCKS BY OTHERS AND MUST BE ANCHORED PROPERLY TO TRANSFER LOADS TO THE STRUCTURE. BUCK MATERIAL MUST HAVE A SPECIFIC GRAVITY OF 0.55 OR GREATER.

3. PRODUCT ANCHOR TYPES AND SPACING ARE SHOWN ON SHEET 7. DIMENSIONS SHOWN FOR ANCHOR SPACING ARE ALWAYS FROM EDGE OF UNIT FRAME. ANCHOR EMBEDMENT TO BASE MATERIAL SHALL BE BEYOND WALL DRESSING OR STUCCO.

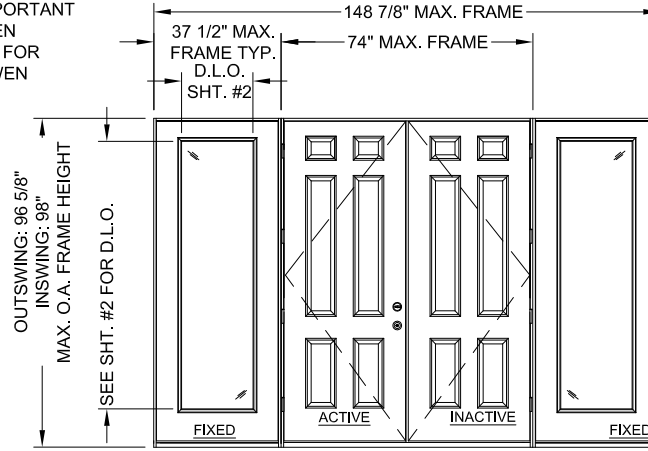
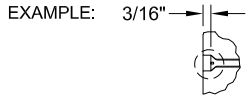
4. THIS DOCUMENT SUPERCEDES OTHER ANCHOR INSTALLATION INSTRUCTIONS

FOR NON-IMPACT RATED DOORS. FOR OTHER IMPORTANT INSTALLATION INSTRUCTIONS, REFER TO JELD-WEN DOCUMENT #JII106 (INSTALLATION INSTRUCTIONS FOR PRE-HUNG ENTRY DOORS) FOUND ON THE JELD-WEN WEBSITE: [JELD-WEN.COM/LEARN/RESOURCES/INSTALLATION & FINISHING/](http://JELD-WEN.COM/LEARN/RESOURCES/INSTALLATION&FINISHING/).

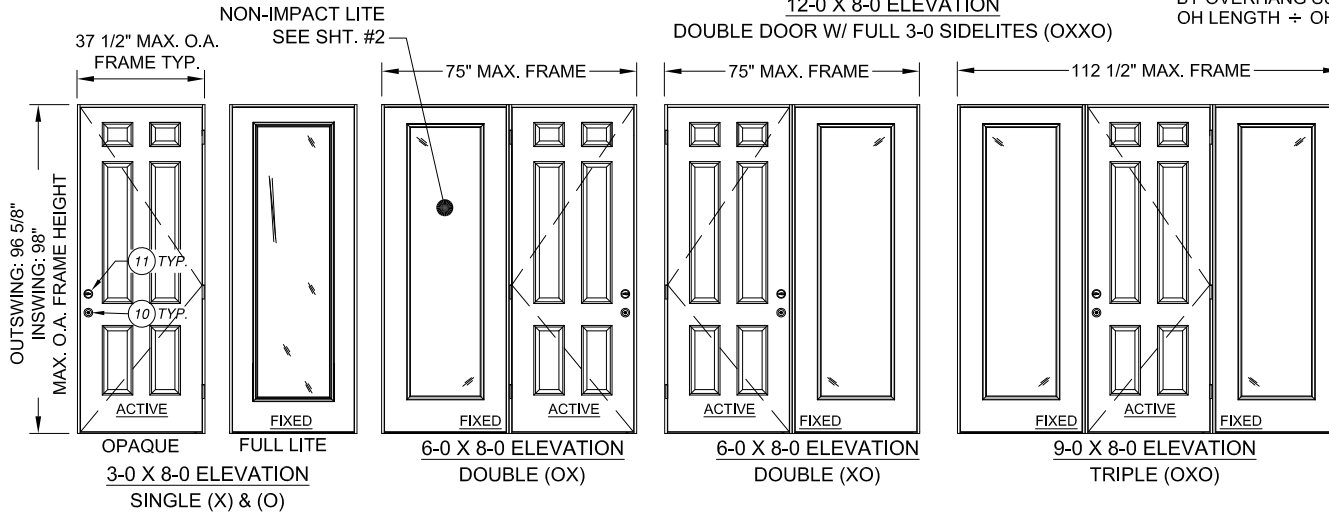
5. FLORIDA APPROVED SHUTTERS ARE NEEDED WHEN IMPACT PROTECTION IS REQUIRED.

6. FOR DESIGN PRESSURE RATINGS, SEE TABLE 1, SHEET 1.

7. ALL FASTENERS IN WOOD SHALL BE COUNTERSUNK 3/16" DEEP.



**12-0 X 8-0 ELEVATION  
DOUBLE DOOR W/ FULL 3-0 SIDELITES (OXXO)**



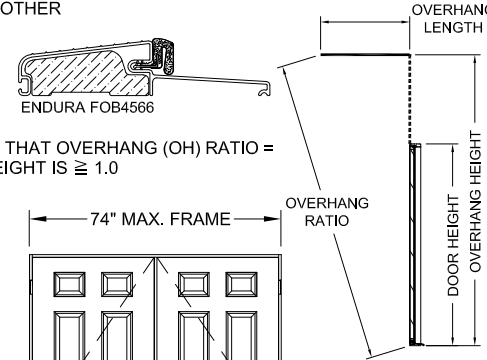
**TABLE 1**  
DESIGN PRESSURE RATING:

SIZE	QUALIFIES: OPAQUE ACTIVE PANELS WITH NON-IMPACT GLASS SIDELITES
MAX. PANEL WIDTH = 35 3/4"	8-0 TALL SYSTEMS: ( XX ) (XXO) (OXXO) ( X ) (OX) (XO) (OXO)
OUTSWING	POSITIVE + 35* NEGATIVE - 35*
INSWING	POSITIVE + 35* NEGATIVE - 35*

**COMPONENT LIST**

ITEM	DESCRIPTION	MATERIAL	QTY.
1	NON-COMPRESSION SHIM (0.25" MAX. THK.)	WOOD	AS REQ.
2	2x WOOD SUB BUCK (S.G. MUST BE 0.55 OR GREATER)	WOOD	AS REQ.
3	1x WOOD SUB BUCK (S.G. MUST BE 0.55 OR GREATER)	WOOD	AS REQ.
4	#10 WOOD INSTALLATION SCREW W/ 1 1/2" MIN. EMBEDMENT	STEEL	AS REQ.
5	3/16" ITW TAPCON ANCHOR W/ 1 1/4" MIN. EMBEDMENT	STEEL	AS REQ.
6	#9 X 2 1/2" PHILLIPS FLATHEAD WOOD SCREW	STEEL	2 OR 4
7	#8 X 2" PHILLIPS FLATHEAD WOOD SCREW	STEEL	AS REQ.
8	#9 X 3/4" PHILLIPS FLATHEAD WOOD SCREW	STEEL	30 OR 60
9	1" O.A. IG NON-IMPACT FRAME GLAZED BY ODL	Polypropylene	1 OR 2
10	LOCK SERIES 400	STEEL	1
11	DEADBOLT SERIES 660	STEEL	1
12	FLAT LITE KIT	ALUMINUM	1
13	ADA THRESHOLD	ALUMINUM	1

\* NOTE: IF PRODUCT IS CONSTRUCTED USING THE OUTSWING ENDURA FOB4566 (SHOWN BELOW), THEN PRODUCT DOES NOT REQUIRE OVERHANG PROTECTION. OTHERWISE, REMAINING SILLS LISTED ON SHEETS 3 THRU. 6 HAVE NOT BEEN RATED FOR WATER INFILTRATION. IF AUTHORITY HAVING JURISDICTION VALIDATES THAT PRODUCT MEETS THIS AND/OR OTHER REQUIREMENTS, LISTED PRODUCT MAY BE USED WHEN INSTALLED AT LOCATION PROTECTED BY OVERHANG SUCH THAT OVERHANG (OH) RATIO = OH LENGTH ÷ OH HEIGHT IS ≥ 1.0



**JELD-WEN**  
WINDOWS & DOORS  
3737 Lakeport Blvd.  
Klamath Falls, OR 97601  
Phone: (541) 882-3451  
Fax: (541) 850-2609

24 GA. STEEL W.E. 12-0 X 8-0 OPAQUE OPER.  
WITH NON-IMPACT FULL SIDELITES  
PART OR ASSEMBLY  
GENERAL NOTES, ELEVATIONS, DP RATINGS  
AND B.O.M.

HERMEST P. NERERO  
STATE OF FLORIDA  
LICENSED PROFESSIONAL ENGINEER  
No. 73778  
398 E. DANIA BEACH BLVD. STE. 338  
DANIA BEACH, FL 33004  
FBPE CERT. OF AUTH. NO. 29578

**SHEET INDEX**

SHEET #	DESCRIPTION
1	GENERAL NOTES, B.O.M., & ELEVATIONS
2	OUTSWING/INSWING BOX MULLING DETAILS
3	OUTSWING VERTICAL AND HORIZONTAL SECTIONS IN WOOD
4	OUTSWING VERT. AND HORIZ. SECTIONS IN MASONRY/CONCRETE
5	INSWING VERTICAL AND HORIZONTAL SECTIONS IN WOOD
6	INSWING VERT. AND HORIZ. SECTIONS IN MASONRY/CONCRETE
7	OUTSWING AND INSWING ANCHORING DETAILS

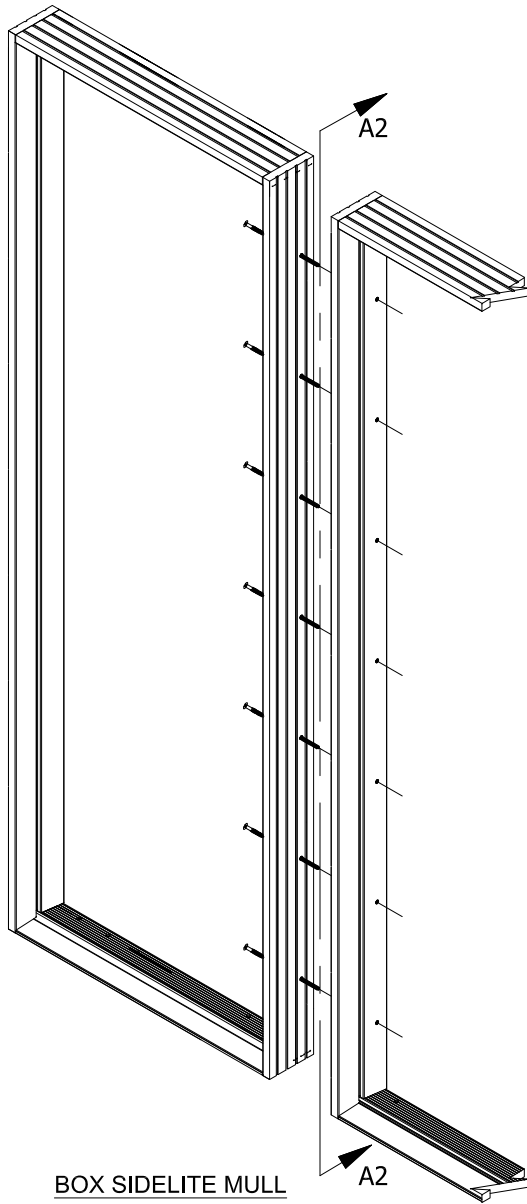
**REVISIONS**

NO.	DATE	BY
1	01/30/20	TB

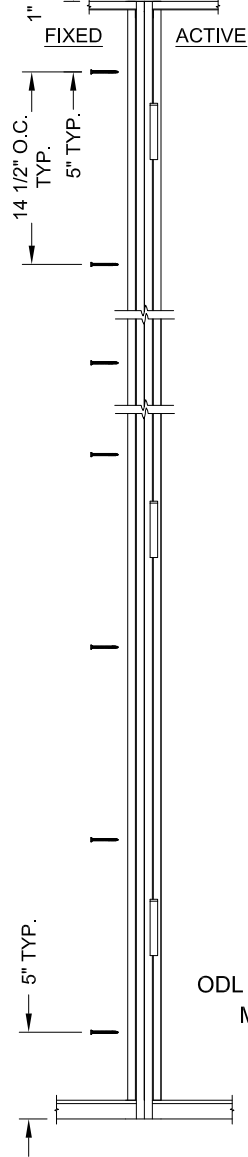
DATE: 2/23/2012  
SCALE: NONE  
DWG. BY: G.LUBBECKE  
CHK. BY: S.SAFFELL  
DRAWING No.: D015860  
SHEET 1 OF 7

7- #8 X 2"  
PFH SCREW AT  
EACH MULLION TYP.

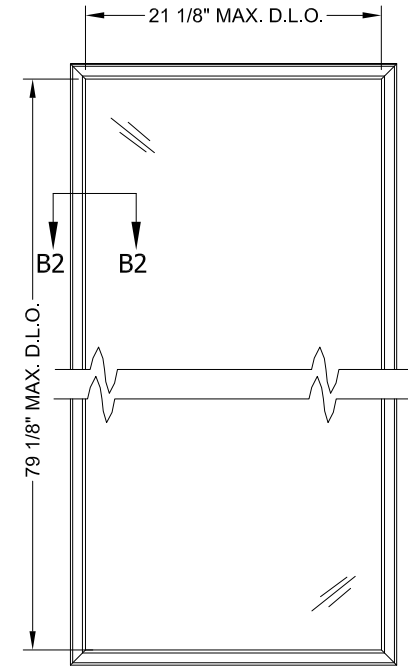
APPLY DAP ALEX PLUS SILICONE  
OR EQUIV. BETWEEN  
JAMBS BEFORE MULLING



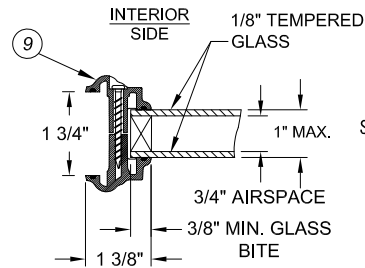
**BOX SIDELITE MULL**  
MAX. 4 UNITS  
EXAMPLE: OXXO, OXO, OX



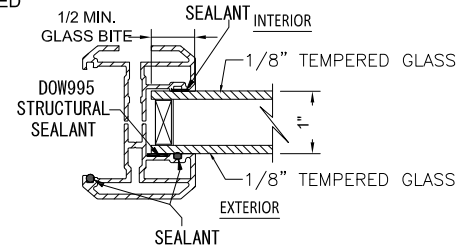
**DETAIL A2**  
(7) FASTENER LOCATIONS AT  
DOUBLE-BACK JAMB ATTACHMENT



**ODL LIP-LITE NON-IMPACT**  
3-0 X 8-0 SHOWN



**DETAIL B2**  
ODL NON-IMPACT GLAZING DETAIL  
MAX. D.L.O.: 21 1/8" X 79 1/8"



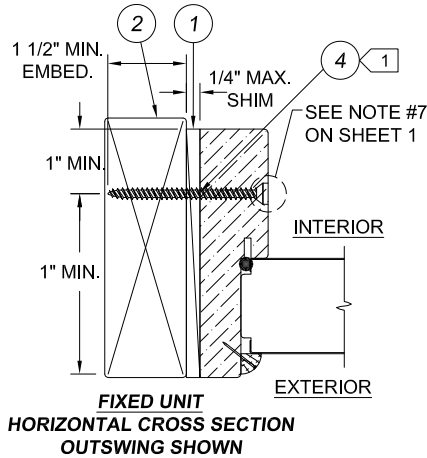
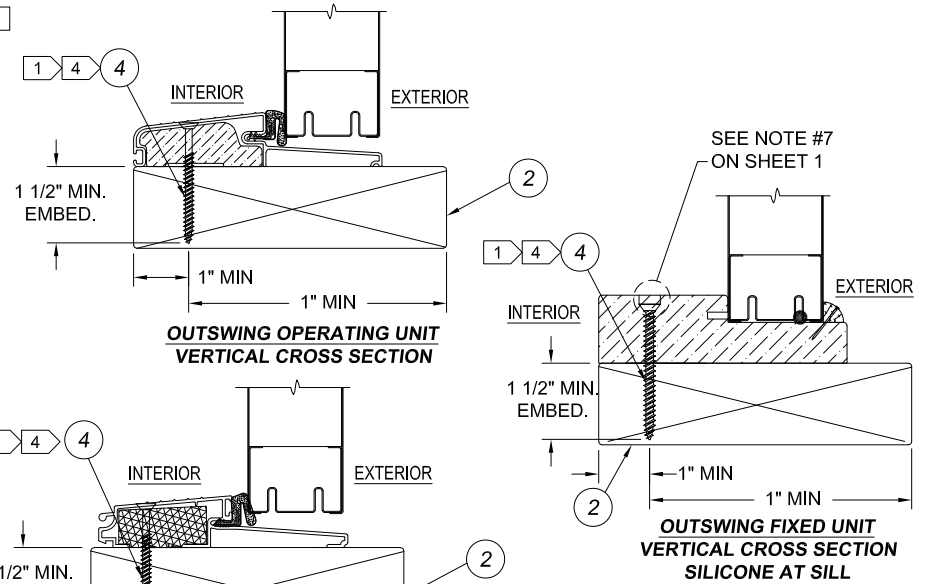
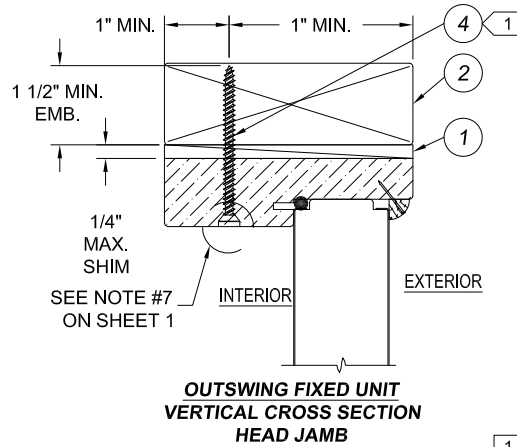
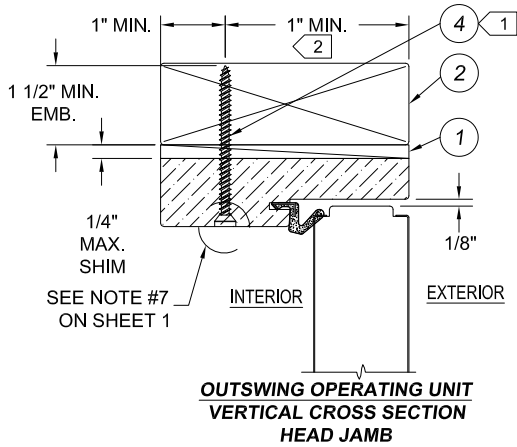
**DETAIL**  
20 1/2" MAX. D.L.O. WIDTH  
62 5/8" MAX. D.L.O. HEIGHT

**JELD-WEN**  
WINDOWS & DOORS  
3737 Lakeport Blvd.  
Klamath Falls, OR 97601  
Phone: (541) 882-3451  
Fax: (541) 850-2609

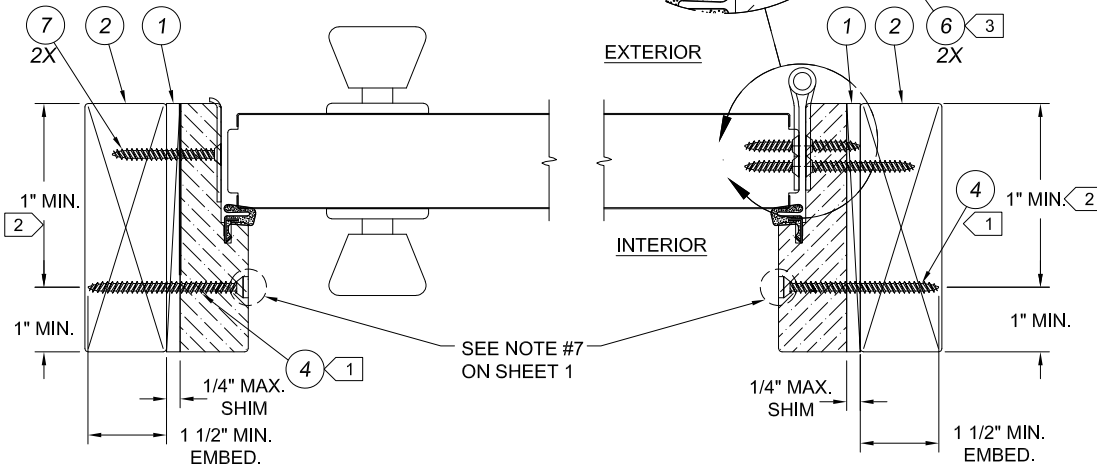
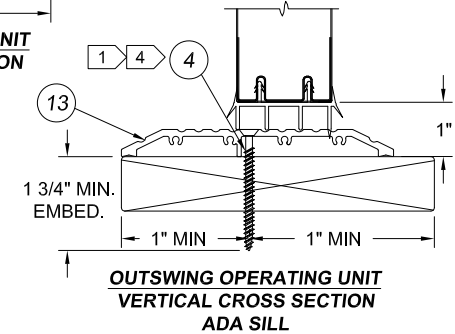
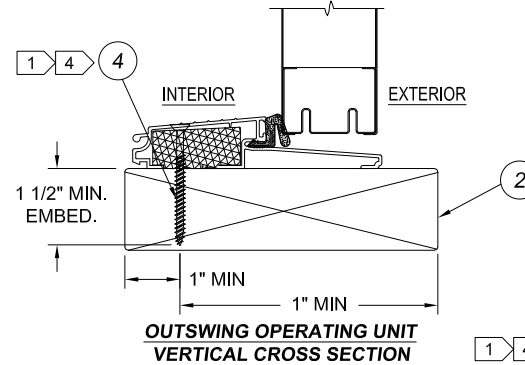
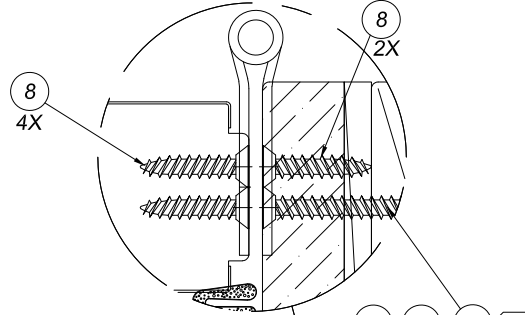
24 GA. STEEL W.E. 12-0 X 8-0 OPAQUE OPER.  
WITH NON-IMPACT FULL SIDELITES  
PART OR ASSEMBLY  
MULLING DETAILS AND GLAZING OPTIONS

DATE: 2/23/2012  
SCALE: NONE  
DRAWN BY: G.LUBBECKE  
CHK. BY: S.SAFFELL  
DRAWING No.: D015860  
SHEET 2 OF 7

**HERMES P. NERERO**  
FLORIDA P.E. NO. 73778  
398 E. DANIA BEACH BLVD. STE. 338  
DANIA BEACH, FL 33004  
FBPE CERT. OF AUTH. NO. 29578



**HINGE DETAIL:**  
 TOP = 6 SCREWS (ITEM #8), 2 SCREWS (ITEM #6)  
 CENTER TOP = 8 SCREWS (ITEM #8)  
 CENTER BOTTOM = 8 SCREWS (ITEM #8)  
 BOTTOM = 8 SCREWS (ITEM #8)



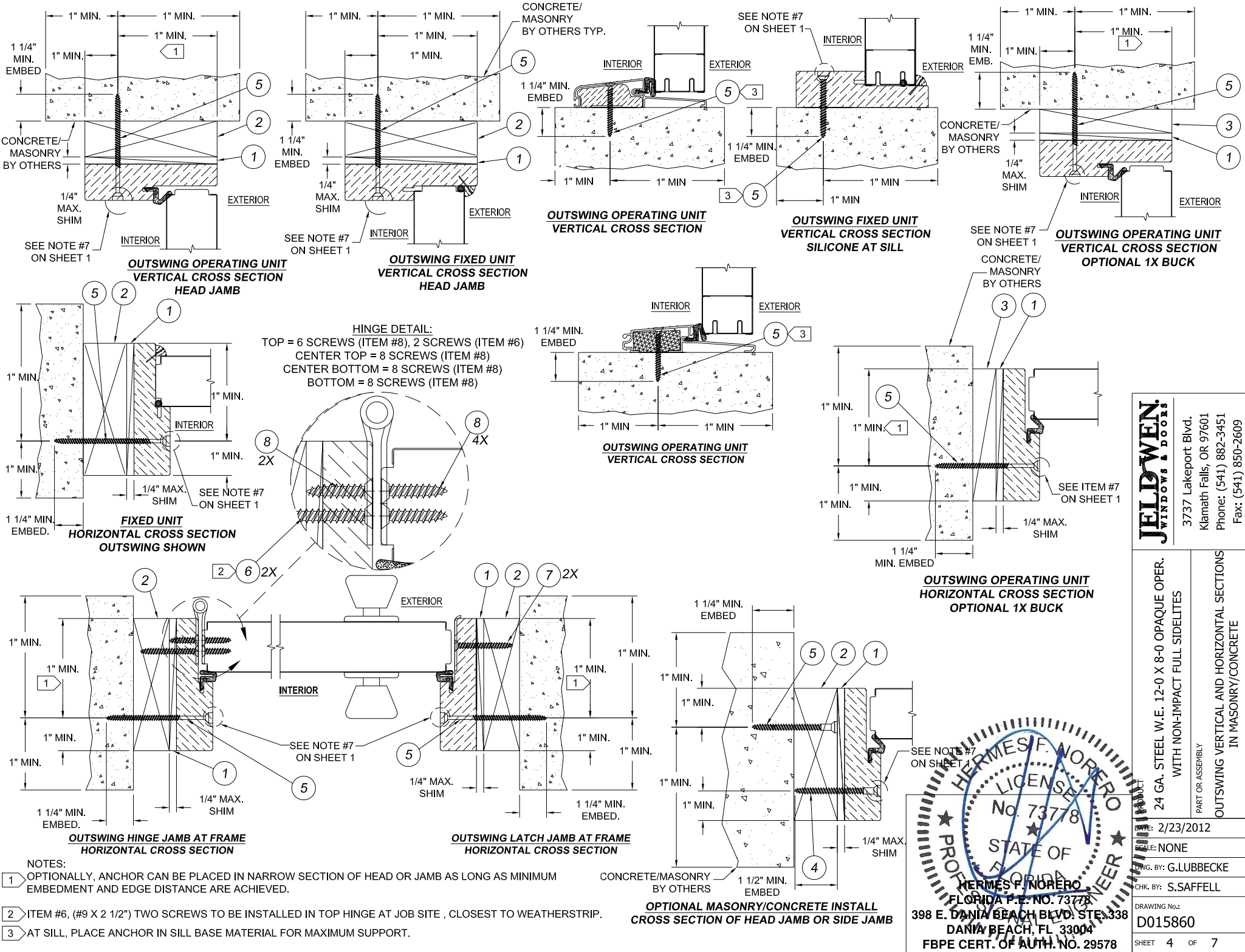
- NOTES:**
- FOR PLACEMENT OF ITW TAPCON ANCHORS IN 2X BUCK OR 1X BUCK CONCRETE/MASONRY OPENINGS, SEE SHEET 4
  - OPTIONALLY, ANCHOR CAN BE PLACED IN NARROW SECTION OF HEAD OR JAMB AS LONG AS MINIMUM EMBEDMENT AND EDGE DISTANCE ARE ACHIEVED.
  - ITEM #6, (#9 X 2 1/2") TWO SCREWS TO BE INSTALLED IN TOP HINGE AT JOB SITE, CLOSEST TO WEATHER STRIP.
  - AT SILL, PLACE ANCHOR IN SILL CASE MATERIAL FOR MAXIMUM SUPPORT.

**HERMES P. NORERO**  
 REGISTERED PROFESSIONAL ENGINEER  
 No. 73778  
 STATE OF FLORIDA  
 398 E. DANIA BEACH BLVD. STE. 338  
 DANIA BEACH, FL 33004  
 FBPE CERT. OF AUTH. NO. 29578

**JELD-WEN**  
 WINDOWS & DOORS  
 3737 Lakeport Blvd.  
 Klamath Falls, OR 97601  
 Phone: (541) 882-3451  
 Fax: (541) 850-2609

24 GA. STEEL W.E. 12-0 X 8-0 OPAQUE OPER.  
 WITH NON-IMPACT FULL SIDELITES  
 PART OR ASSEMBLY  
 OUTSWING VERTICAL AND HORIZONTAL SECTIONS  
 IN WOOD

DATE: 2/23/2012  
 SCALE: NONE  
 DWG. BY: G.LUBBECKE  
 CHK. BY: S.SAFFELL  
 DRAWING No.:  
**D015860**  
 SHEET 3 OF 7

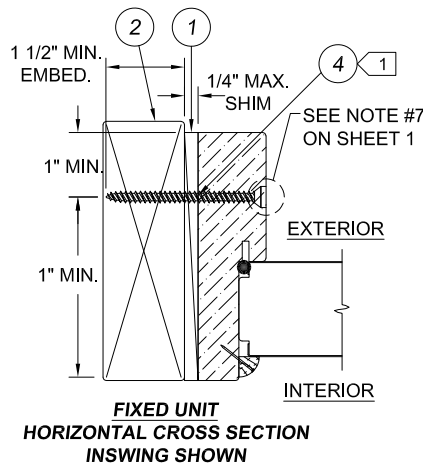
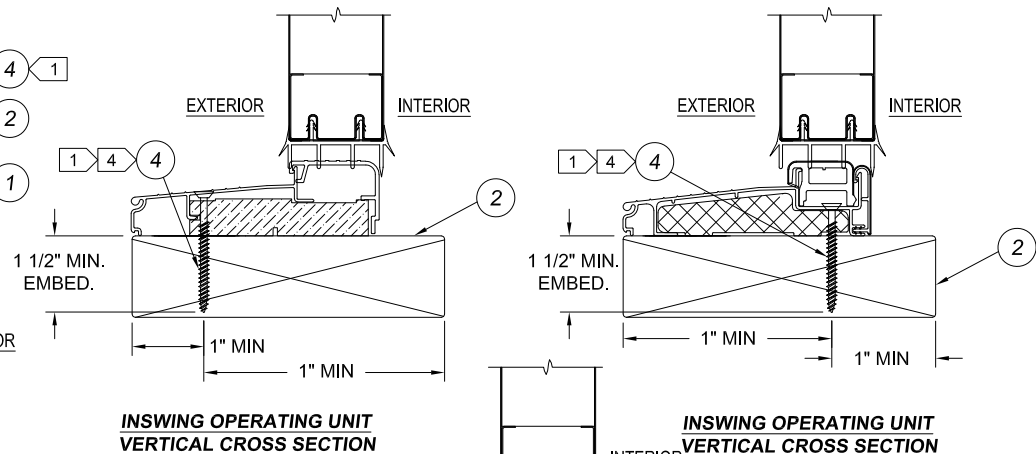
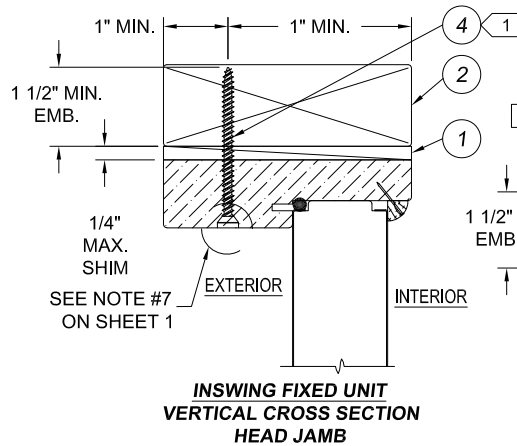
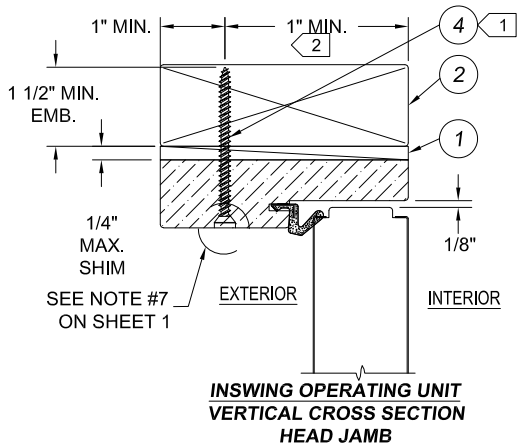


**JELD-WEN**  
 WINDOWS & DOORS  
 3737 Lakeport Blvd.  
 Klamath Falls, OR 97601  
 Phone: (541) 882-3451  
 Fax: (541) 850-2609

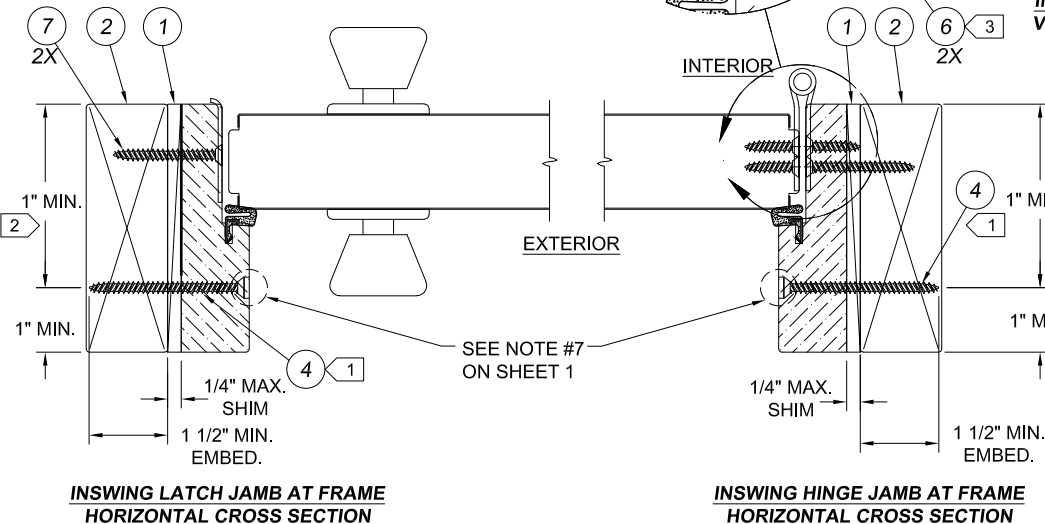
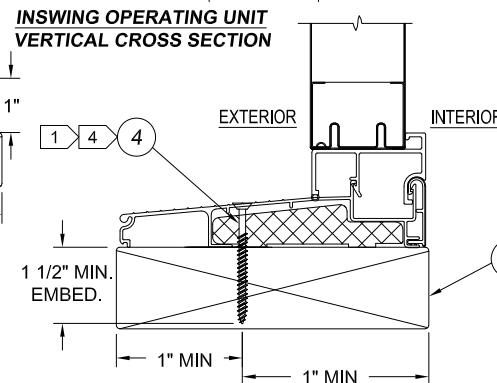
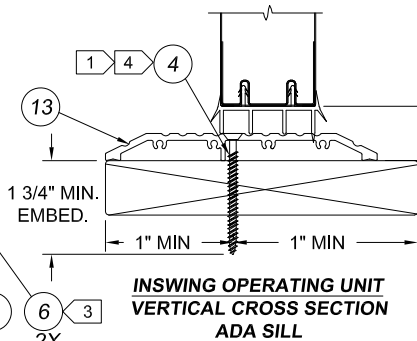
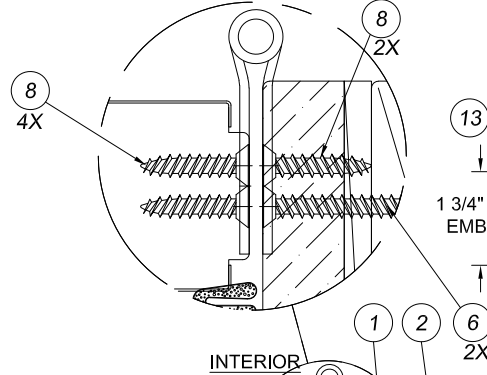
24 GA. STEEL W.E. 12-0 X 8-0 OPAQUE OPER. WITH NON-IMPACT FULL SIDELITES  
 PART OR ASSEMBLY  
 OUTSWING VERTICAL AND HORIZONTAL SECTIONS IN MASONRY/CONCRETE

DATE: 2/23/2012  
 SCALE: NONE  
 DWG. BY: G.LUBBECKE  
 CHK. BY: S.SAFFELL  
 DRAWING No.: D015860  
 SHEET 4 OF 7

HERMES F. NORERO  
 LICENSE No. 73778  
 STATE OF FLORIDA  
 REGISTERED PROFESSIONAL ENGINEER  
 398 E. DANIA BEACH BLVD. STE. 338  
 DANIA BEACH, FL 33004  
 FBPE CERT. OF AUTH. NO. 29578



**HINGE DETAIL:**  
 TOP = 6 SCREWS (ITEM #8), 2 SCREWS (ITEM #6)  
 CENTER TOP = 8 SCREWS (ITEM #8)  
 CENTER BOTTOM = 8 SCREWS (ITEM #8)  
 BOTTOM = 8 SCREWS (ITEM #8)



- NOTES:**
- 1 FOR PLACEMENT OF ITW TAPCON ANCHORS IN 2X BUCK OR 1X BUCK CONCRETE/MASONRY OPENINGS, SEE SHEET 6
  - 2 OPTIONALLY, ANCHOR CAN BE PLACED IN NARROW SECTION OF HEAD OR JAMB AS LONG AS MINIMUM EMBEDMENT AND EDGE DISTANCE ARE ACHIEVED.
  - 3 ITEM #6, (#9 X 2 1/2") TWO SCREWS TO BE INSTALLED IN TOP HINGE AT JOB SITE, CLOSEST TO WEATHERSTRIP.
  - 4 AT SILL, PLACE ANCHOR IN SILL BASE MATERIAL FOR MAXIMUM SUPPORT.

**HERMES P. NORERO**  
 LICENSE NO. 73778  
 STATE OF FLORIDA  
 PROFESSIONAL ENGINEER

**HERMES P. NORERO**  
 FLORIDA P.E. NO. 73778  
 398 E. DANIA BEACH BLVD. STE. 338  
 DANIA BEACH, FL 33004  
 FBPE CERT. OF AUTH. NO. 29578

**JELD-WEN**  
 WINDOWS & DOORS

3737 Lakeport Blvd.  
 Klamath Falls, OR 97601  
 Phone: (541) 882-3451  
 Fax: (541) 850-2609

24 GA. STEEL W.E. 12-0 X 8-0 OPAQUE OPER.  
 WITH NON-IMPACT FULL SIDELITES

PART OR ASSEMBLY

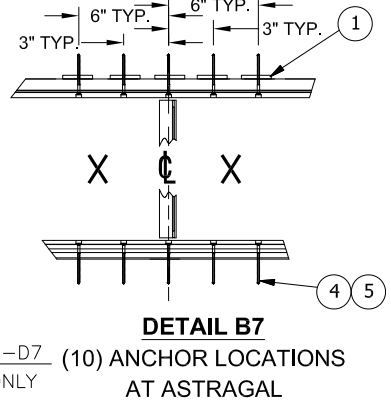
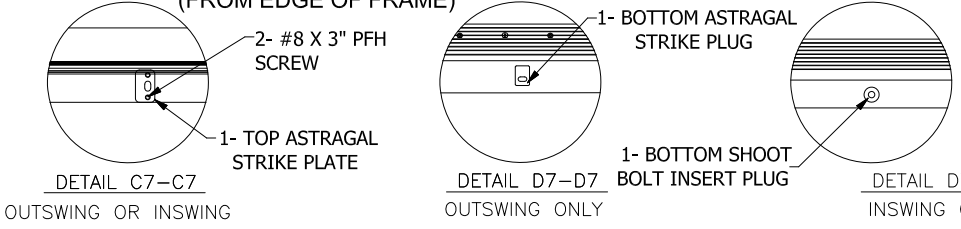
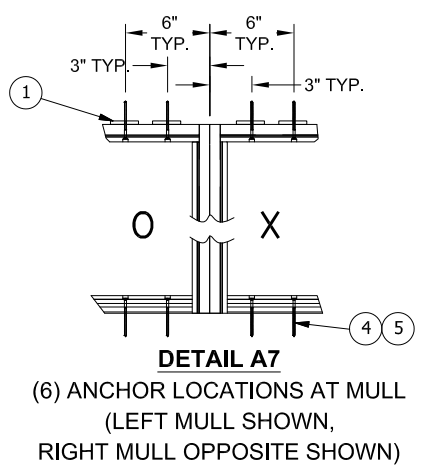
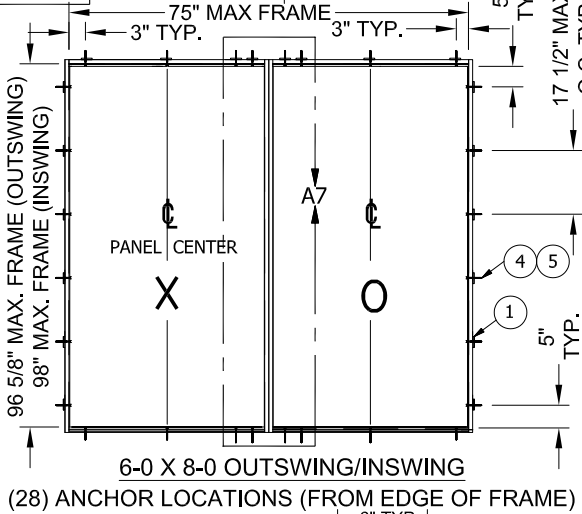
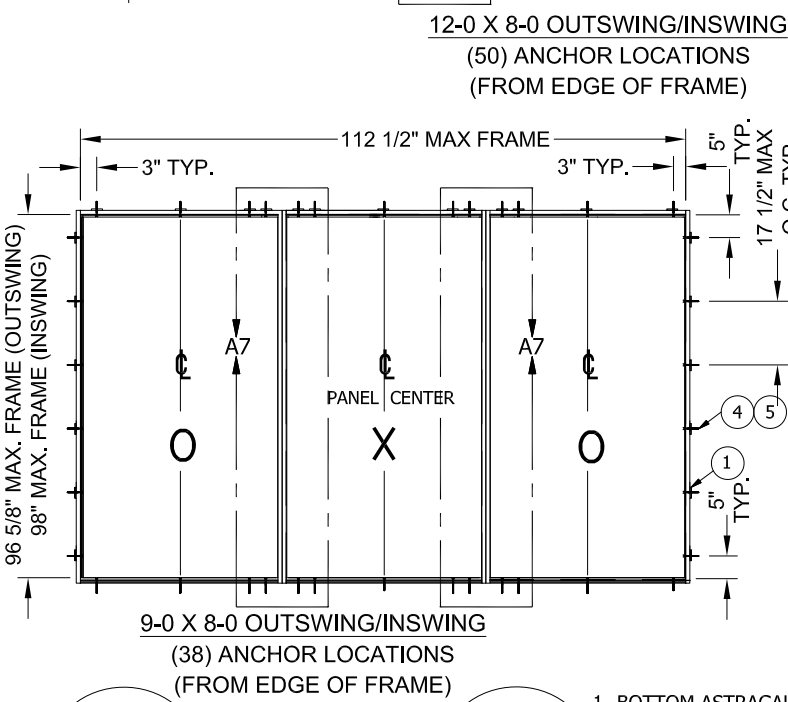
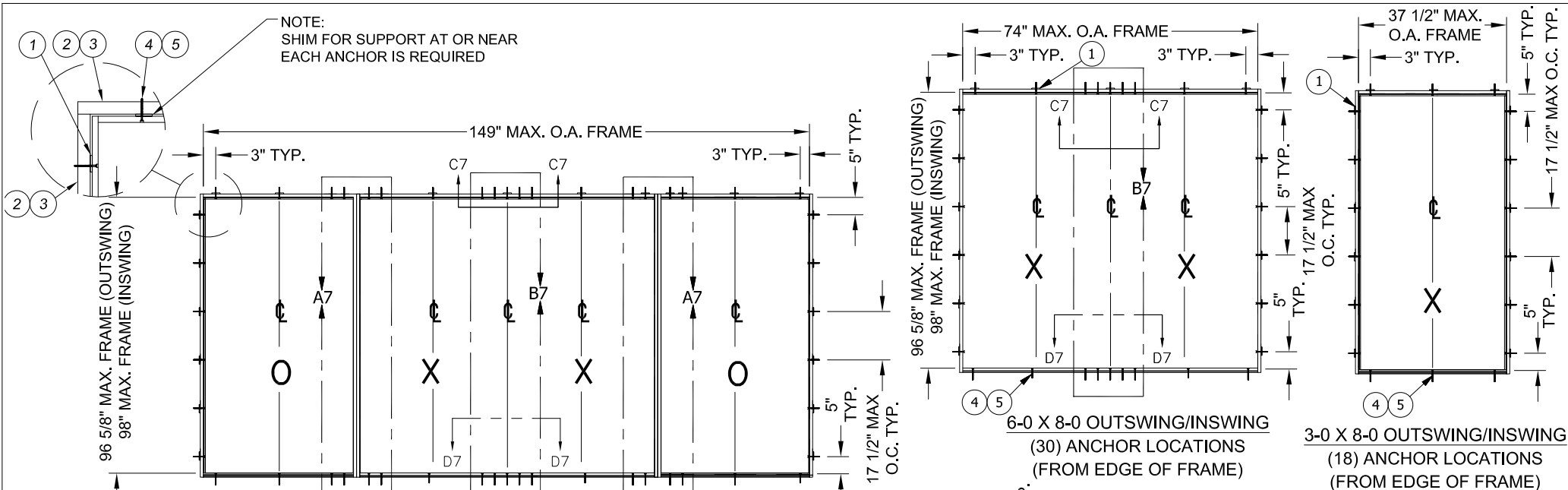
INSWING VERTICAL AND HORIZONTAL SECTIONS  
 IN WOOD

DATE: 2/23/2012  
 SIZE: NONE  
 DRAWING BY: G.LUBBECKE  
 CHK. BY: S.SAFFELL

DRAWING No.: D015860  
 SHEET 5 OF 7



NOTE:  
SHIM FOR SUPPORT AT OR NEAR  
EACH ANCHOR IS REQUIRED



**HERMES F. NORERO**  
 LICENSE NO. 73778  
 STATE OF FLORIDA  
 REGISTERED PROFESSIONAL ENGINEER

DATE: 2/23/2012  
 SCALE: NONE  
 DWG. BY: G.LUBBECKE  
 CHK. BY: S.SAFFELL  
 DRAWING No.: D015860  
 SHEET 7 OF 7

HERMES F. NORERO  
 398 E. DANIA BEACH BLVD. STE. 338  
 DANIA BEACH, FL 33004  
 FBPE CERT. OF AUTH. NO. 29578

**JELLDWEN**  
 WINDOWS & DOORS

3737 Lakeport Blvd.  
 Klamath Falls, OR 97601  
 Phone: (541) 882-3451  
 Fax: (541) 850-2609

24 GA. STEEL W.E. 12-0 X 8-0 OPAQUE OPER.  
 WITH NON-IMPACT FULL SIDELITES

PART OR ASSEMBLY

INSWING AND OUTSWING ANCHORING DETAILS